

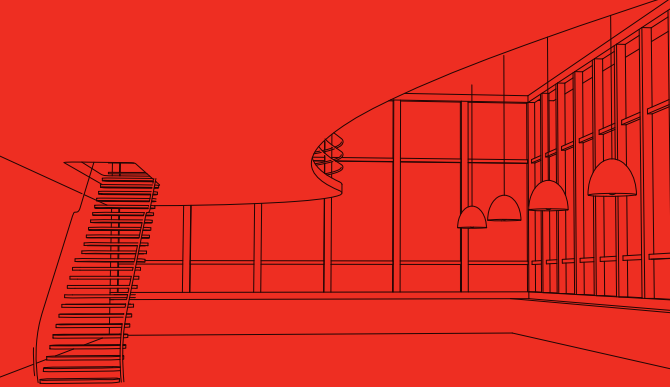
Composed of wooden core and **Brasilit** flat sheets external faces



Asbestos free flat sheets with CRFS technology

Wooden core

Masterboard Panels



www.brasilit.com.br
Sales Network: 0800 11 6299

December/2010 - All information and images contained in this material are the property of Brasilit.



The perfect choice for dry slabs, mezzanines, floors and partition walls.



Masterboard Panels

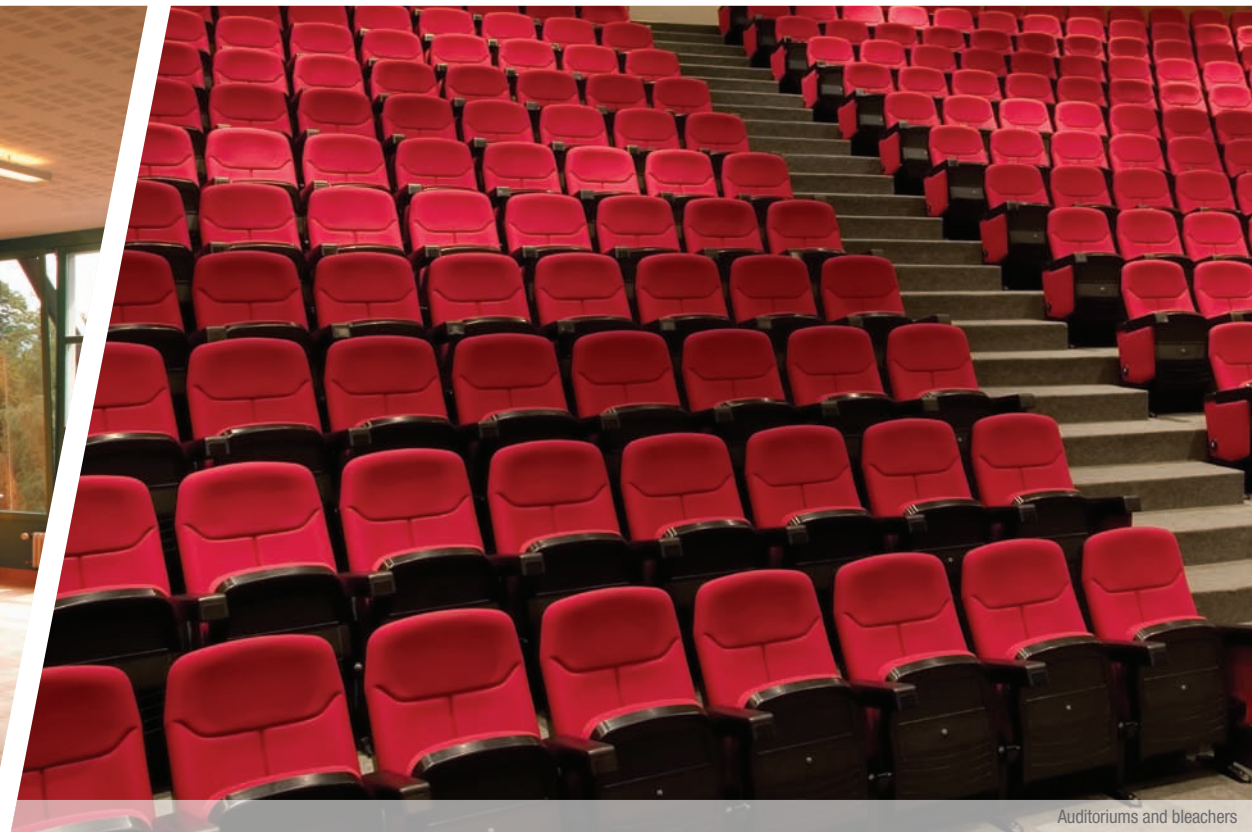
Beauty, strength and versatility to meet your every need.



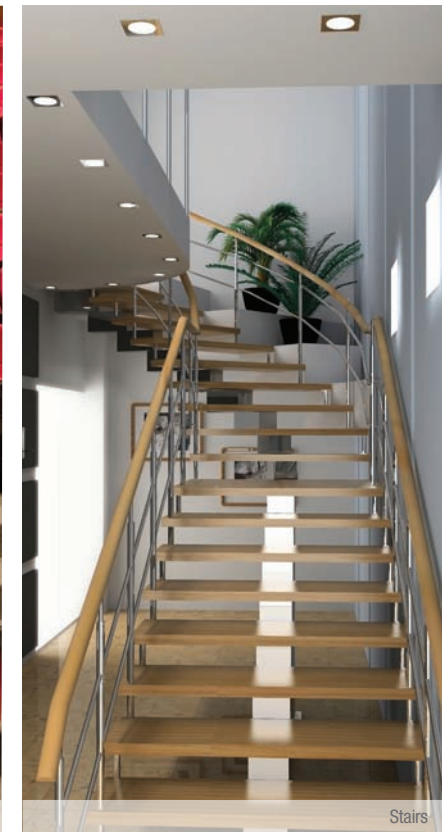
Residential and commercial mezzanines



Floors and partition walls



Auditoriums and bleachers



Stairs



Dry slabs and restroom partitions

Promptness and convenience finally combined with elegance and sophistication.

Asbestos free panels in various thicknesses, one for each type of use

Get to know all the line of Masterboard panels

Width (mm)	Length (mm)	Thickness (mm)	Weight (kg/m ²)
1200	2400	14	18
1200	2400	23	23
1200	2400	40	32
1200	2500	40	32

Masterboard 14 mm

It aggregates the small thickness to its large resistance, being used as internal vertical closure. Accepts suspended loads in dry construction systems, with no need for structural reinforcements.

Masterboard 40 mm

Specific for situations and areas of greatest load requirement. Its composition ensures excellent performance and durability.

Masterboard 23 mm

A lighter panel than the traditional ones in the market. Meets most applications with quality and economy. Widely used in mezzanines. Also suitable for internal vertical closure.

Masterboard 2.50 m

Meeting your every need. Now you can also find the 40 mm Masterboard panels in the standard measure of 1.20 x 2.50 m, used in large scale in building environments that require high load strength.

Masterboard on floors

With Masterboard, you determine the thickness of the panel according to the load required by the environment and the amount of supports necessary or available.

Table of maximum working load distributed per panel (kg/m ²)		
No. of supports	Thickness of the panels	
	23 mm	40 mm
3	-	500 kg/m ²
4	300 kg/m ²	500 kg/m ^{2*}

* Suggested limit of application. For higher loads, refer to Brasilit's Technical Department.

Table of allowable loads in accordance with NBR 6120		
Type	Location	Minimum quantities (kgf/m ²)
Residential buildings	Bedrooms, living room, pantry, kitchen and bathroom	150
	Store-room, service area and laundry	200
	Stairs	300
Offices	Offices of general use and bathrooms	200
Stores	Shop gallery	300
	Stores with mezzanines	500
Restaurants	General	300
Schools	Classrooms, corridors	300
	Other rooms	200
Libraries	Reading rooms	250
	Books storehouse	400
Terraces	Without public access	200
	With public access	300
Ceilings	Without access to people	50

The strict system of quality control Brasilit – a company of the Saint-Gobain group, world leader in building materials – gives the Masterboard line the ideal characteristics for building dry slabs, mezzanines, partition walls and ceilings.

With a new choice measuring 1.20 x 2.50 m, in line with most specifications, the Brasilit Masterboard panels further extend the possibilities of use and modulation, meeting the demands of architects, blacksmiths and all specific professionals.

A set of advantages that you could not find in any other solution:

- ◆ Fast execution of the work
- ◆ Reduction of waste
- ◆ Easy installation
- ◆ High shock-resistance
- ◆ High distributed loads strength
- ◆ Able to cover large free spans
- ◆ Does not spread flames
- ◆ Available in several thicknesses
- ◆ Respect to the law and environment: asbestos free, 100% recyclable and with coefficient and sustainable wooden core
- ◆ Great thermoacoustic insulation
- ◆ Accepts several types of finishing

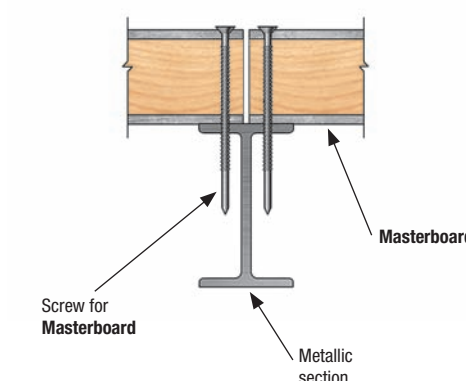
In case of environments subject to moisture, sealing the panel in the work is mandatory, both in the surface and thickness, along the edges and internally in any drilling for installation of light boxes, plugs, taps, etc.

Brasilit Accessories Line for fastening: with them the Masterboard system gets even better.



Self-drilling Screws

A more practical and economical solution, allowing the fastening of the boards directly in metal sections, without the need for other fasteners such as clips or nuts.



Clip Set

In packages of 60 units, it is the more traditional fastening method in mezzanines, offering good resistance and safety in the installation.

